

INSTALLATION INSTRUCTIONS FOR MODEL DRL-200 REV LIMITER FOR TWO AND FOUR CYLINDER ENGINES

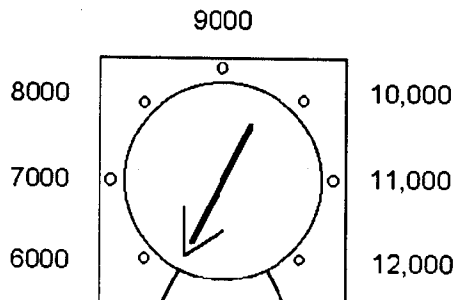
The DYNA DRL-200 Rev Limiter is a single stage rev limiter which provides reliable over-rev protection. The DRL-200 is designed to operate with any inductive electronic ignition on two and four cylinder engines. It cannot be used with capacitive discharge ignitions.

INSTALLATION:

- 1) Mount the DRL-200 in the desired location using double sided tape or tie-wraps. **CAUTION** - do not mount the unit close to the engine or exhaust where it can be damaged by heat.
- Refer to the wiring diagram of the back of this sheet during the following steps.
- 2) Connect the red wire on the DRL-200 to the +12 volt primary terminal of one coil or a reliable source of switched +12 volts.
- 3) Connect the black wire on the DRL-200 to ground, preferably on an engine case bolt or battery negative terminal.
- 4) Connect the white wire on the DRL-200 to the ignitor (minus) side of one coil and the blue wire on the DRL-200 to the ignitor (minus) side of the other coil. If there is only one coil, the blue wire on the DRL-200 is not used.
- 5) If you have a two cylinder engine, cut the green wire loop on the DRL-200.

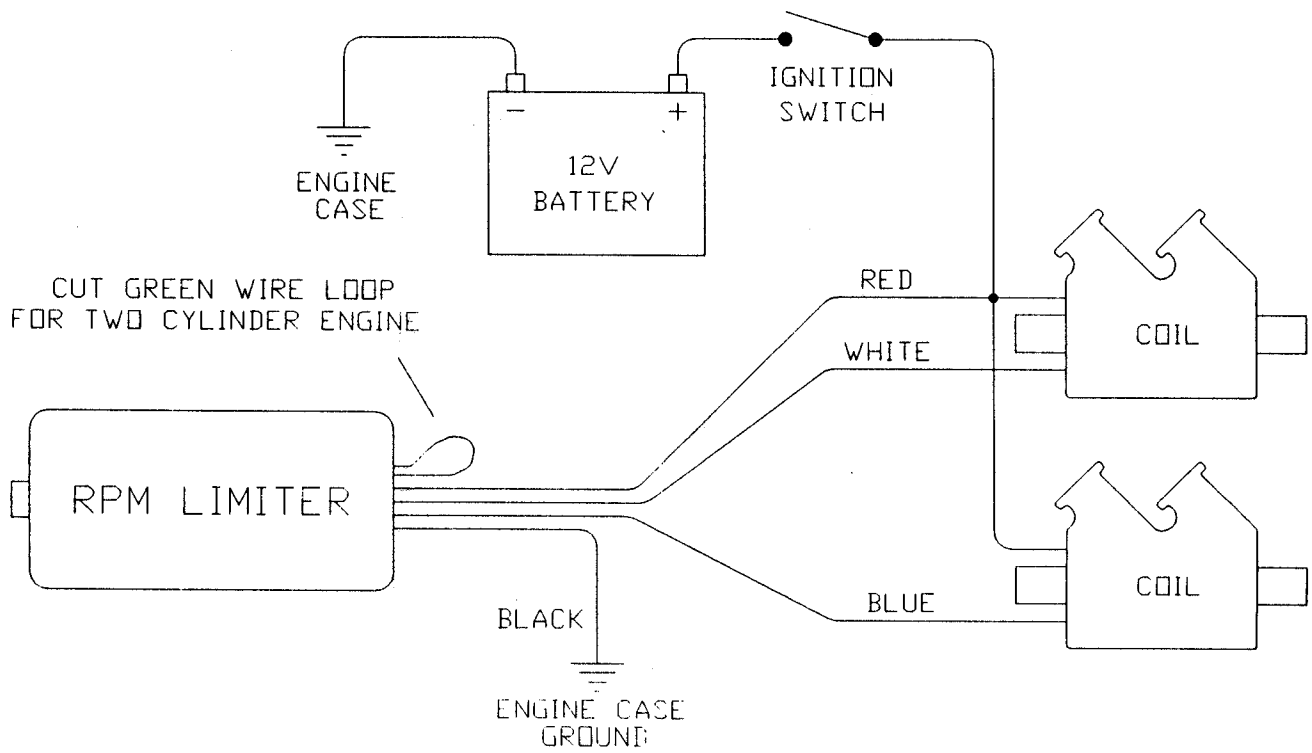
ADJUSTMENT:

The rpm limit can be set anywhere between 6,000 and 12,000 rpm by turning the dial on the end of the DRL-200. The arrow can be on or between any of the seven dots.



6/94

TYPICAL TWO COIL CONNECTION



TYPICAL SINGLE COIL CONNECTION

